

Contents

Important User Information	2	Parts List	5
Safety Precautions	3	Assembly	6
General Operation	3	Operation	9
Required Tools	4	Maintenance	10
Supplied Hardware	4	Replacement Parts	11



Visit the OnBoard Timpani Cart web page at wengercorp.com for more information.

Note: Please read and understand these instructions before proceeding.
Note: If you need additional information, contact Wenger Corporation using the information below.

Important User Information

General

Copyright © 2024 by Wenger Corporation

All rights reserved. No part of the contents of this manual may be reproduced, copied, or transmitted in any form or by any means including graphic, electronic, or mechanical methods or photocopying, recording, or information storage and retrieval systems without the written permission of the publisher, unless it is for the purchaser's personal use.

Printed and bound in the United States of America.

The information in this manual is subject to change without notice and does not represent a commitment on the part of Wenger Corporation. Wenger Corporation does not assume any responsibility for any errors that may appear in these instructions.

In no event will Wenger Corporation be liable for technical or editorial omissions made herein, nor for direct, indirect, special, incidental, or consequential damages resulting from the use or defect of these instructions. The manufacturer reserves the right to change this product at any time.

The information in this document is not intended to cover all possible conditions and situations that might occur. The end user must exercise caution and common sense when assembling or installing Wenger Corporation products. If any questions or problems arise, call the Wenger Corporation at (800) 4WENGER (493-6437) or +1-507-455-4100 worldwide.

Manufacturer

The OnBoard® Timpani Cart is manufactured by:

Wenger Corporation
555 Park Drive
Owatonna, MN 55060
(800) 4WENGER (493-6437) • +1 (507) 455-4100
wengercorp.com

Intended Use

- This product is intended for indoor use in normal ambient temperature and humidity conditions – it must not be exposed to prolonged outside weather conditions.
- This product is intended to be assembled, installed and used only as described in these instructions.

Warranty

Warranty information is available at wengercorp.com.

Safety Precautions

Throughout this document you may find cautions and warnings which are defined as follows:

- **WARNING:** Failure to follow the instruction could result in serious injury or damage to property.
- **CAUTION:** Failure to follow the instruction could result in minor injury or damage to property.

Read and understand all of these safety instructions before any assembly, installation or use.

⚠ CAUTION

Make sure anyone assembling, installing or using this product has read and understands these instructions.

⚠ CAUTION

Failure to comply with Warnings and Cautions in this document or on the equipment can result in damage to property or serious injury.

⚠ CAUTION

To help avoid damage and injury, two people are recommended for assembly.

General Operation

⚠ CAUTION

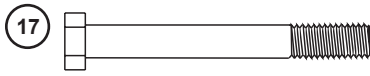
- *OnBoard Timpani Cart maximum total load capacity is 180 lb (82 kg).*
- *The cart is only intended to hold the timpani during performances or while moving to and from performance areas at a reasonable speed. Speed not to exceed 5 mph (8 km).*
- *When the cart is left unattended, it must be placed in a secure position so that it does not move or roll into vehicles, structures or people.*
- *All four wheels must be in contact with the floor or ground at all times.*
- *Avoid ramps steeper than a 1' (305 mm) rise or drop in a 12' (3658 mm) horizontal distance.*
- *When the cart is loaded, two people are required to move the cart (one pushing at the rear and one guiding at the front).*
- *When transporting the cart in a vehicle it must be braced with tie-downs, chains or cargo straps designed specifically for that purpose so cart will not move.*
- *Blankets or other padding material may help to avoid damage to the cart and accessories from vibration and impact during transport.*
- *When moving the cart, do not ride and do not allow others to ride on the cart.*
- *Do not transport people or stand on the cart.*
- *Use caution when loading or unloading timpanis on the cart.*
- *When towing the cart, do not exceed 5 mph (8 kph) or tow more than three carts together.*
- *When towing the cart, avoid tight turns which may result in the tow vehicle making contact with the cart or tow bar. Injury or damage may result.*
- *Never move or position the cart sideways on an incline.*

Required Tools

- Large crescent wrenches or 1-1/16" and 1-1/8" wrenches
- Phillips head screwdriver
- 9/16" Wrench or socket with ratchet
- 7/32" Allen wrench (supplied)

Supplied Hardware

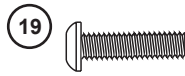
Hardware remaining after assembly can be discarded.



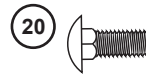
3/4"-10 x 6-1/2"
Capscrew



3/4"-10
Lock Nut



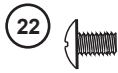
3/8"-16 x 1-1/2"
Socket Screw



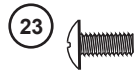
3/8"-16 x 1"
Carriage Bolt



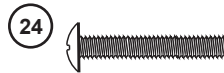
3/8"-16
Lock Nut



1/4"-20 x 1/2"
Machine Screw



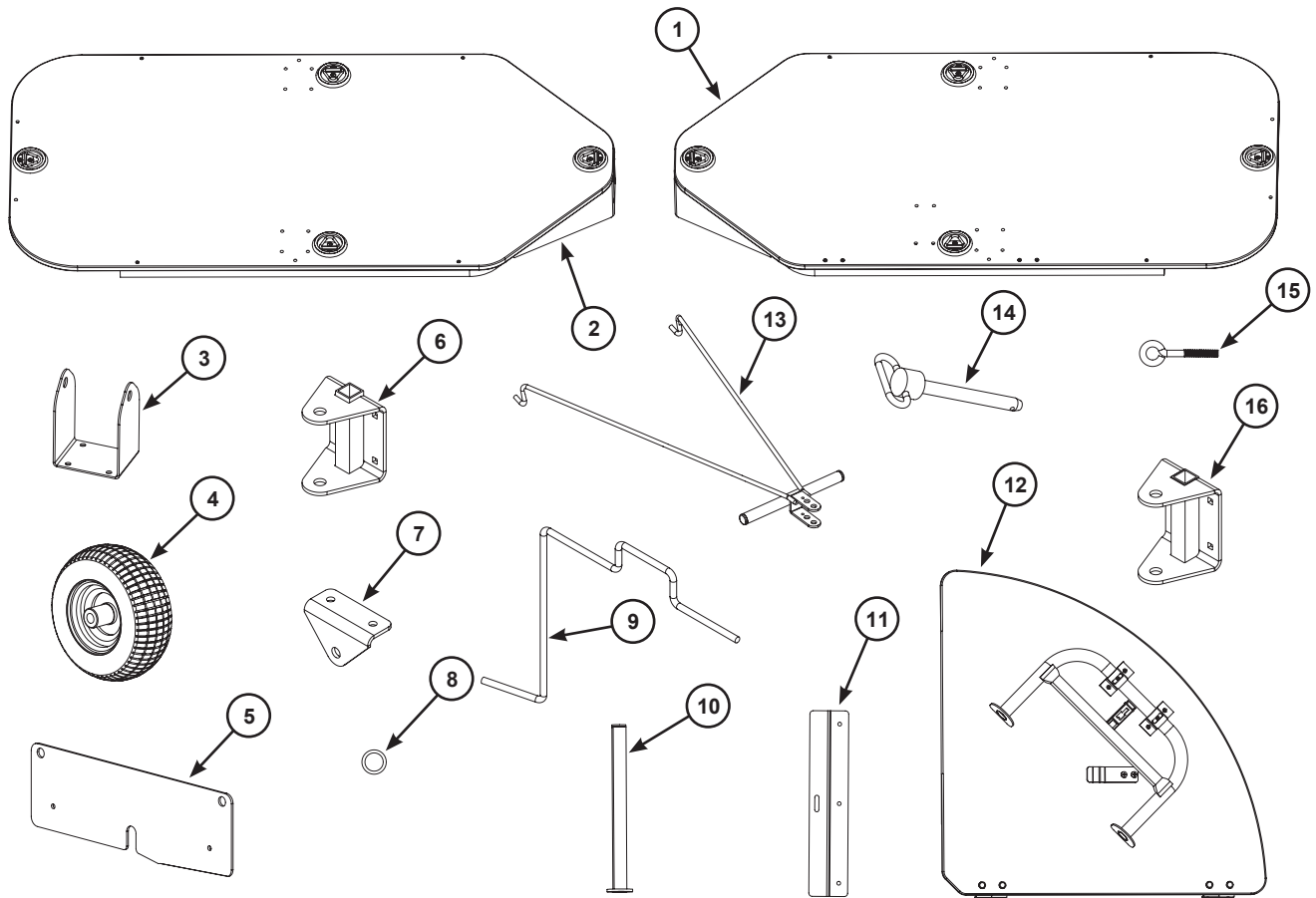
1/4"-20 x 5/8"
Machine Screw



1/4"-20 x 2"
Machine Screw

Parts List

Item	Description	Item	Description
1	Timpani Cart Deck A	9	Player Top Stay Rod
2	Timpani Cart Deck B	10	Inner Leg Tube
3	Wheel Bracket	11	Player Top Align Bracket
4	Wheel	12	Player Top Assembly
5	Tow Bar Plate	13	Tow Bar
6	Cart B Pivot/Leg Weldment	14	Hitch Pin
7	Player Top Pivot Bracket	15	1/4"-20 x 3" Eye Bolt
8	3/4" ID x 3/8" Sleeve Bearing	16	Cart A Pivot/Leg Weldment



Assembly

CAUTION

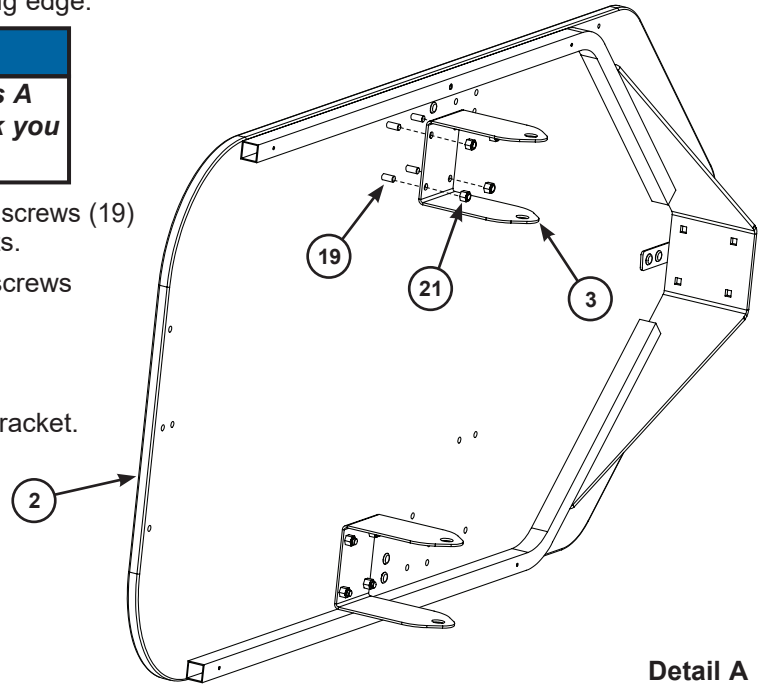
To help avoid damage, two people are required for assembly.

1. Lift the timpani cart deck upright onto the long edge.

NOTICE

Steps 1 - 14 apply to both timpani cart decks A and B (1 and 2). It doesn't matter which deck you start with.

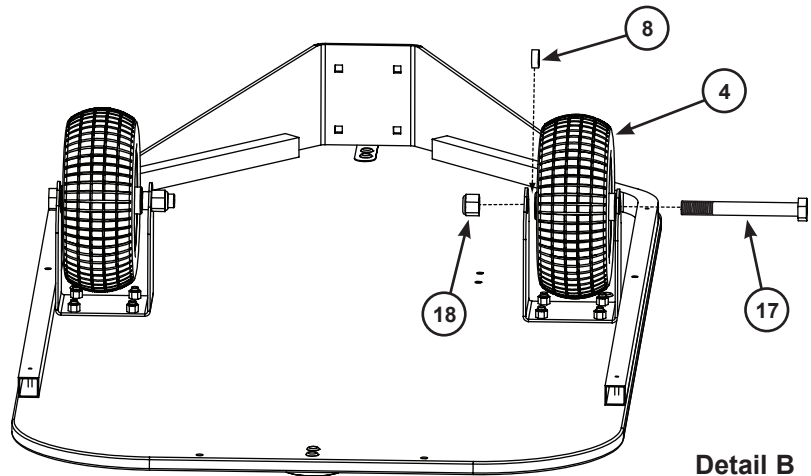
2. On the top side of the deck, insert four socket screws (19) into the holes provided for the wheel brackets.
3. Align the wheel bracket (3) onto the socket screws on the bottom side of the deck.
4. Secure the wheel bracket to the deck using lock nuts (21). **(Detail A)**
5. Complete steps 1-4 for the opposite wheel bracket.



6. Gently lay the deck down flat on the top side so the bottom of the deck is facing up.
7. With the valve stem to the outside, place the wheel (4) in the wheel bracket aligning the center holes. **(Detail B)**
8. Keeping the wheel snug against the outside edge of the wheel bracket, insert the capscrew (17) through the wheel bracket and center of the wheel.

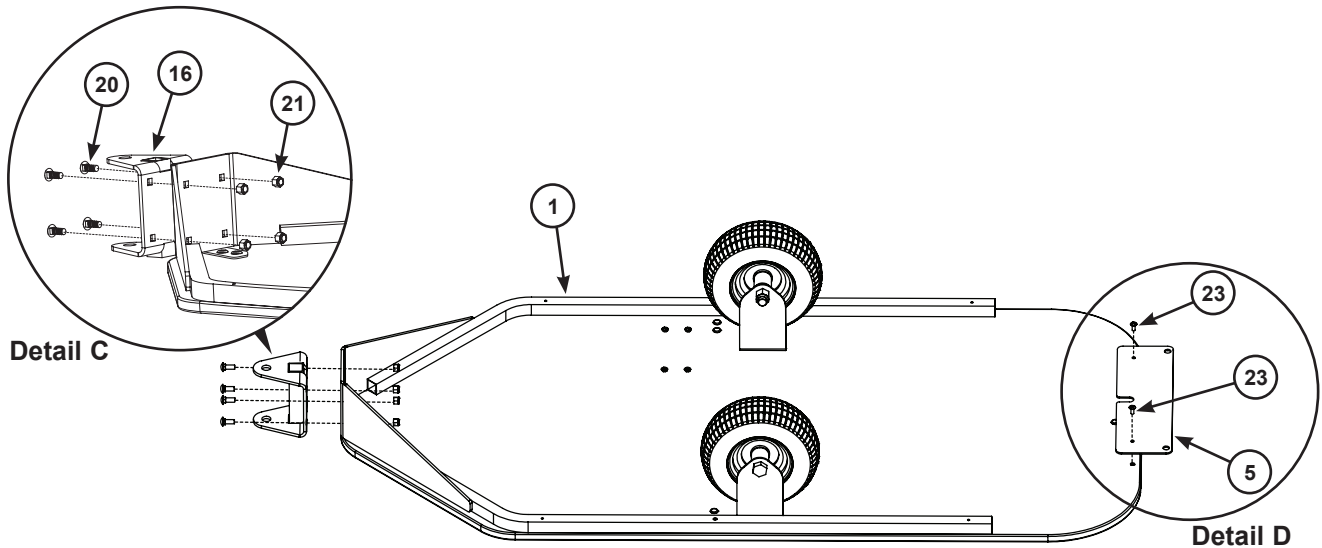
Do not push the capscrew completely through the bracket.

9. Insert the sleeve bearing (8) between the wheel and the inside edge of the wheel bracket aligning it with the center hole of wheel and bolt hole on the wheel bracket.
10. Continue to push the capscrew through the sleeve bearing and other side of the wheel bracket.
11. Secure the wheel in the wheel bracket using lock nut (18).
12. Repeat steps 7-11 for opposite wheel.



Assembly (continued)

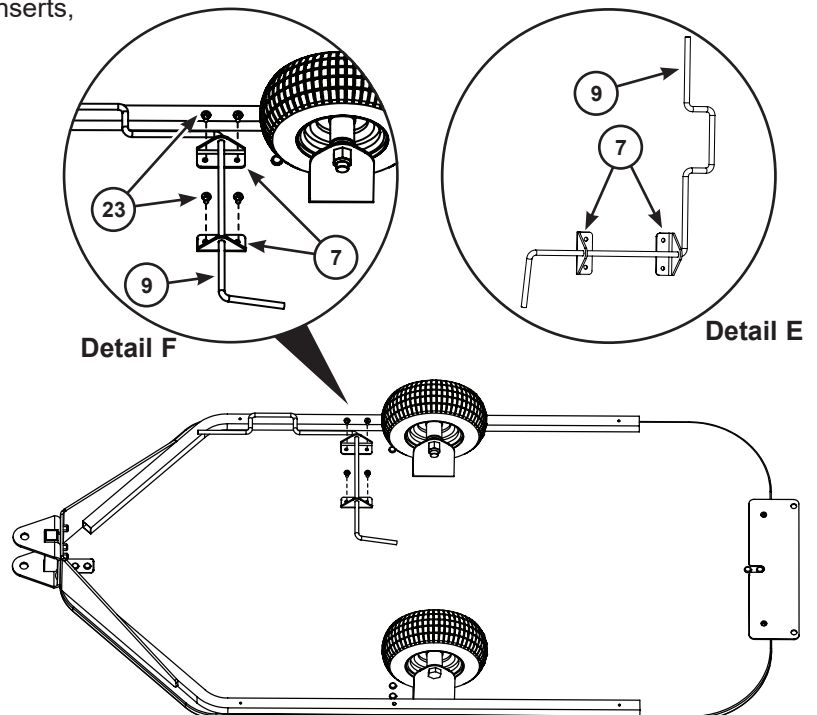
- Assemble the pivot/leg weldment A (16) to the front of the timpani cart platform A (1) using carriage bolts (20) and lock nuts (21). For timpani cart platform B (2), use pivot/leg weldment B (6).
(Detail C)
- Assemble the tow bar plate (5) onto the back of the timpani cart platform using machine screws (23).
(Detail D)
- Repeat steps 1-14 on the remaining deck.
Continue the assembly of timpani cart deck a (1) leaving the cart laying on the top side.



- Slide the two player top pivot brackets (7) onto the player top stay rod (9).
(Detail E)

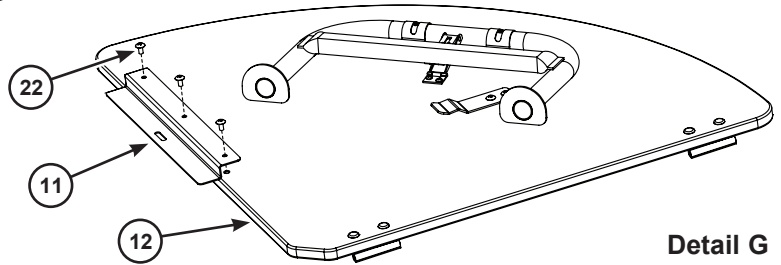
There are four predrilled holes, with nut inserts, located just in front of the wheel on the bottom side of the timpani cart deck A.

- Attach the player top pivot brackets and player top stay rod to the deck using machine screws (23).
(Detail F)
- Tighten the bolts on both decks A and B.
Turn them over onto the wheels.



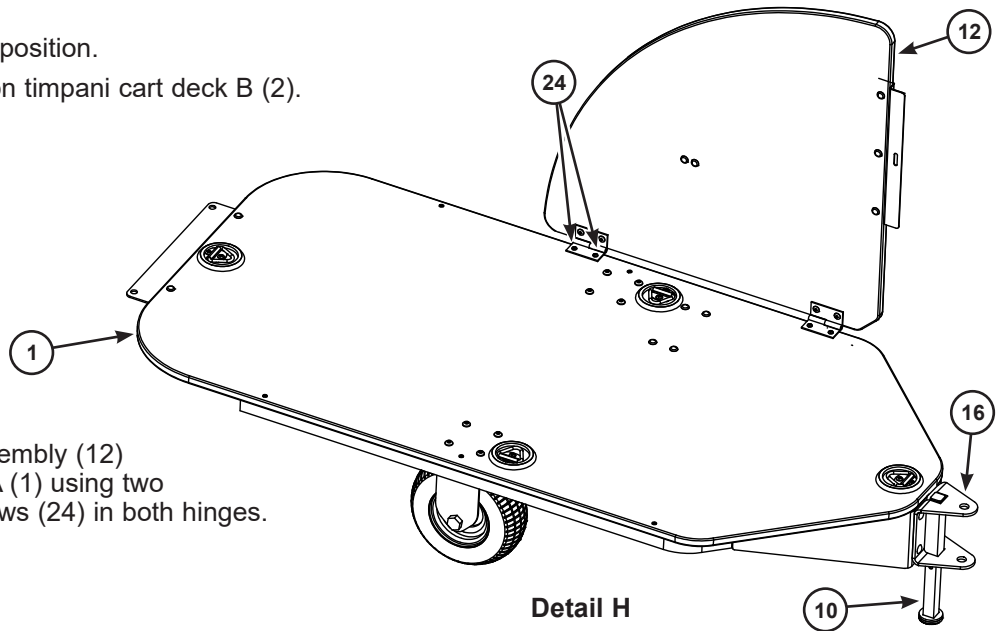
Assembly (continued)

19. Attach the player top align bracket (11) onto the player top assembly (12) using three machine screws (22).
(Detail G)



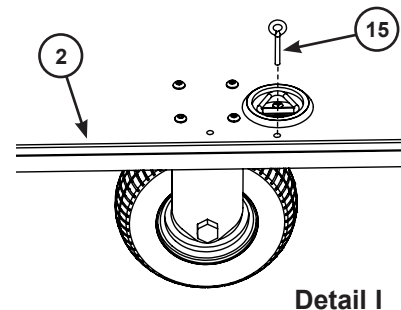
20. At the front of the timpani cart, insert the inner leg tube (10) into the pivot/leg weldment (16) from the bottom holding in the locking button until at the desired height.
(Detail H)

21. Lock the leg in the down position.
22. Complete steps 20 - 21 on timpani cart deck B (2).



23. Attach the player top assembly (12) to the timpani cart deck A (1) using two 1/4-20 x 2" machine screws (24) in both hinges.
(Detail H)

23. Complete the assembly of timpani deck B (2) by threading the eye bolt (15) into the predrilled hole located in front of the wheel.
(Detail I)



NOTICE

Extra hardware can be discarded.

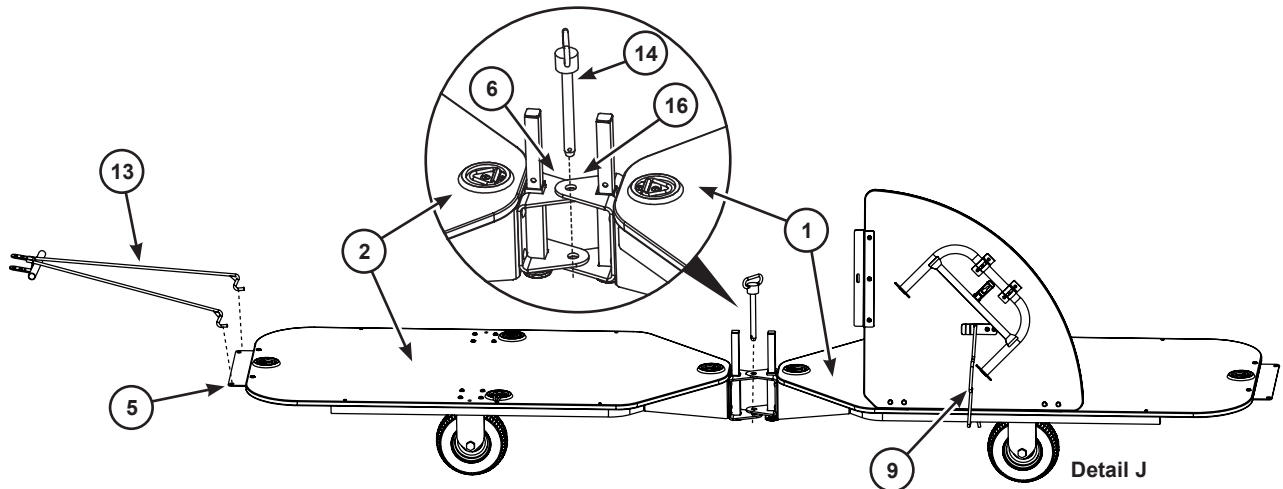
Operation

Always observe the "Safety Precautions" in these instructions.

Failure to comply with the "Safety Precautions" in these instructions can result in serious injury.

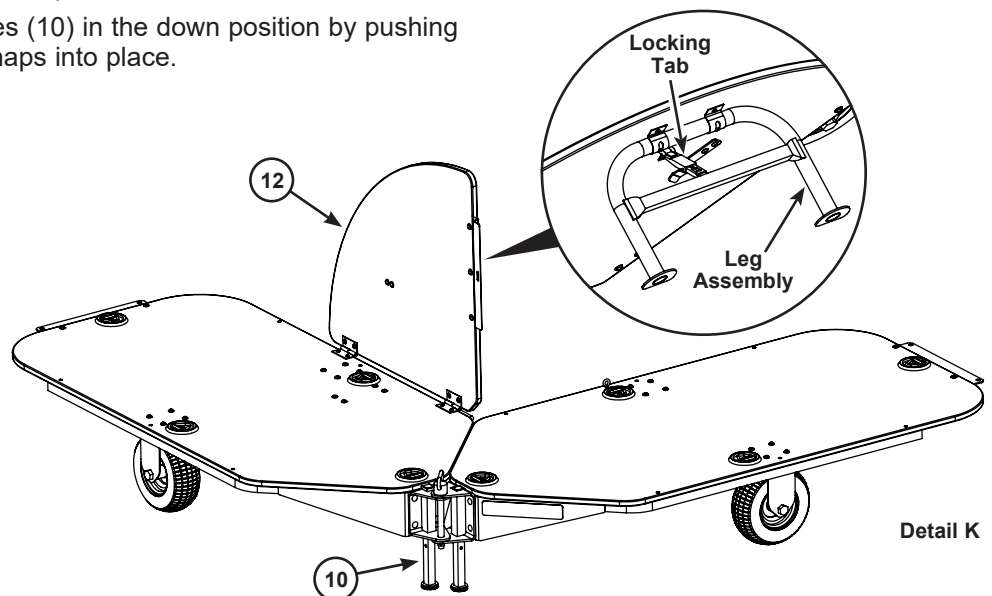
To Tow the Timpani Cart

1. Make sure the player top assembly (12) is in the upright position and locked with the player top stay rod (9). **(Detail J)**
2. Insert the tow bar (13) into the tow bar plate (5).
3. Connect the timpani deck A (1) and B (2) together using the hitch pin (14).



To Position the Timpani Cart in the Performance Position

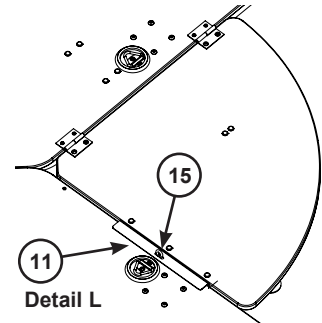
1. With the hitch pin still connecting the timpani cart decks, position the decks so they are together on the player platform side. **(Detail K)**
2. Engage the inner leg tubes (10) in the down position by pushing in the detent pin until it snaps into place.



3. On the player platform assembly, lower the leg assembly locking it into place.

Operation (continued)

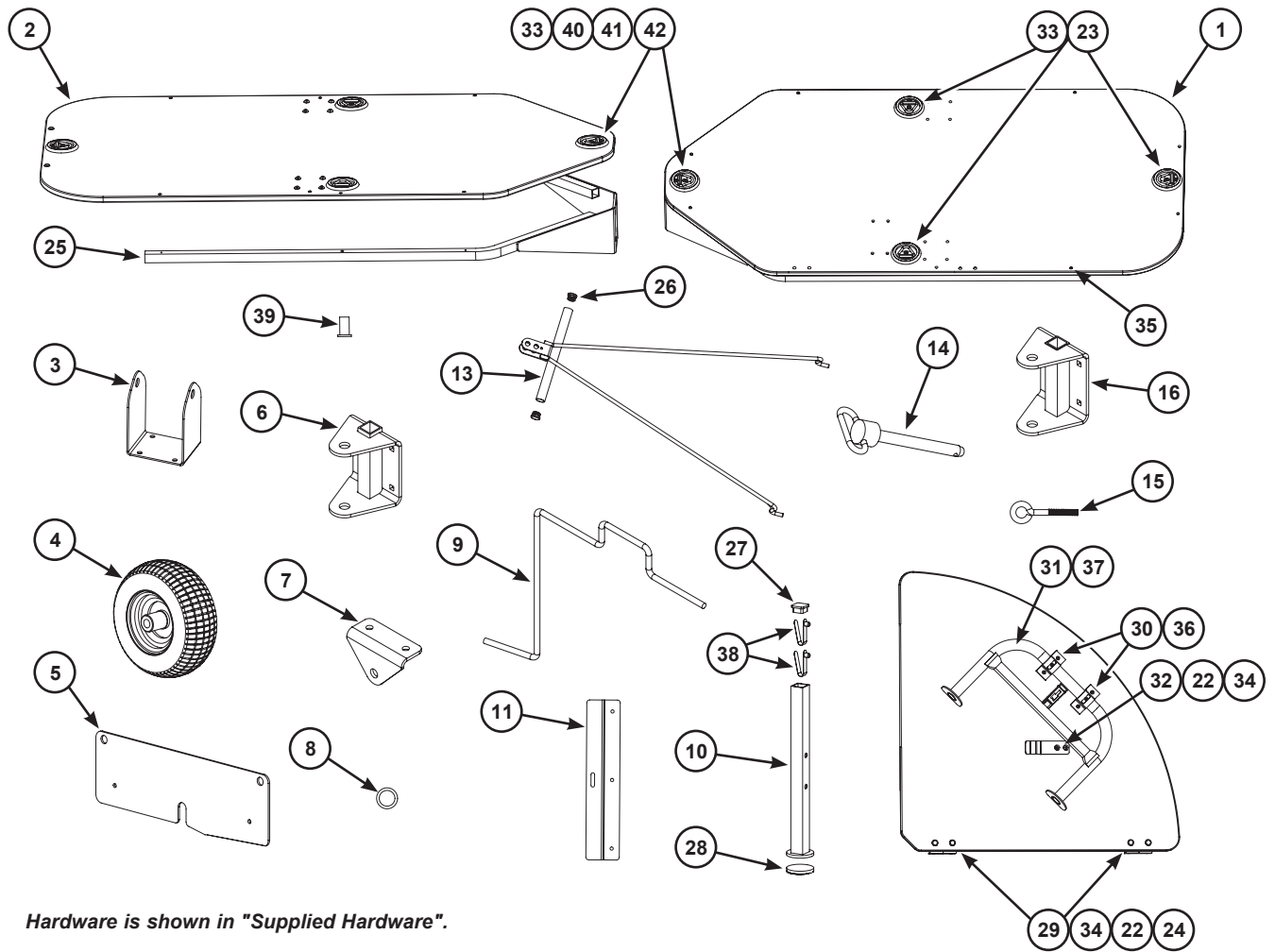
- Lower the player top assembly down onto timpani cart deck B aligning the player top align bracket (11) and eye bolt (15).
(Detail L)
- Turn the eye bolt to lock in place.



Maintenance

- Clean the timpani cart with a mild detergent and warm water.
Avoid using harsh or abrasive cleaning products.
- Immediately replace any tire that does not turn freely.
- Immediately replace or repair any tire that develops a flat area.
- Recommended tire pressure is 15-20 psi (103-138 kPa).
Do not exceed the maximum tire pressure shown on the sidewall of the tire.
- Inspect tire pressure periodically as tires may lose air pressure when not used for long periods of time.
- During heavy usage, periodically check and tighten the fasteners.
- Lubricate grease zerks and bushings as required.

Replacement Parts



Replacement Parts (continued)

Item	Description	Item	Description
1	Timpani Cart Deck A	26	Tow Bar End Plug
2	Timpani Cart Deck B	27	Inner Leg Tube Plug
3	Wheel Bracket	28	Leveler Pad
4	Wheel	29	Hinge
5	Tow Bar Plate	30	Leg Pivot Bracket
6	Cart B Pivot/Leg Weldment	31	Leg Weldment
7	Player Top Pivot Bracket	32	Player Top Platform Stay Bracket
8	3/4" ID x 3/8" Sleeve Bearing	33	Tie Down Surface Mount
9	Player Top Stay Rod	34	1/4-20 Nut Insert
10	Inner Leg Tube	35	1/4-20 x 1-1/2" Flat Head Machine Screw
11	Player Top Align Bracket	36	#10 x 5/8" Screw
12	Player Top Panel	37	8-18 x 1/2" Drill Screw
13	Tow Bar	38	Snap Button
14	Hitch Pin	39	1/4-20 Rivet Nut
15	1/4-20 x 3" Eye Bolt	40	1/4-20 x 1-3/4" Round Head Machine Screw
16	Cart A Pivot/Leg Weldment	41	5/16" Flat Washer
25	Timpani Cart Base (Both A and B Decks)	42	1/4-20 Lock Nut